



PIPE SUPPORT SOLUTIONS



• **TICO** •
Clip Strips

• **TICO** •
Pipe Grips

• **TICO** •
Bond Slips

• **TICO** •
Clamp Blocks



PIPE SUPPORT SOLUTIONS



Pipe Support Solutions

Many years of experience in manufacturing pipe support systems means the TICO range is all but limitless.

Whatever the application, there will be a pipe system to solve your problem. From clamp blocks, to hangers, anti-vibration, high temperatures, isolation, varying metals, sizes etc. we can provide the solution.

- Fire retardant rubber moulded components do not support the surface spread of flame
- Can be supplied to meet operational temperatures ranging from -50°C to $+300^{\circ}\text{C}$
- Pipe support range includes pipe hangers, pipe linings, sliding bearings, blocks and pads for all types of application

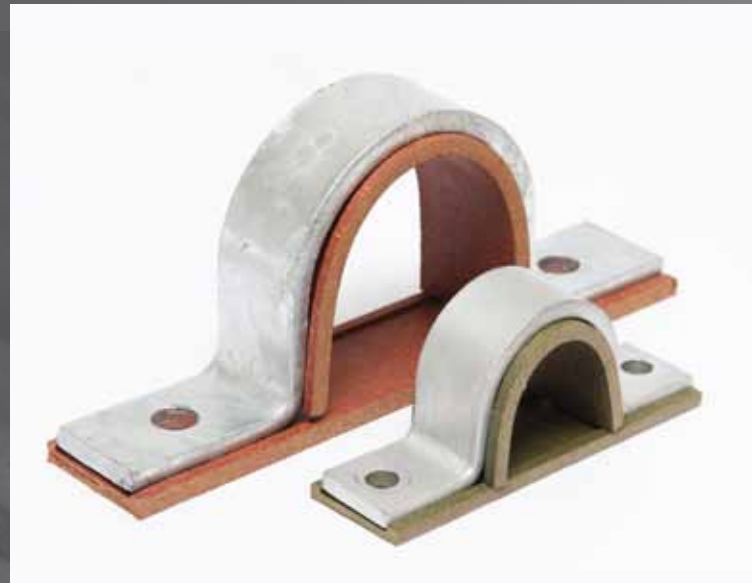
- Wide range of sizes
- Various options to suit different pipe constructions (from static to moving/expanding pipework).
- Designed by working with offshore specialists
- High quality products
- World renowned for many years
- Quality assurance to BS EN ISO 9001

Clip Strips

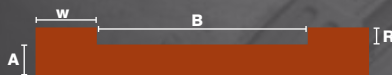
Clip Strips have been designed to provide the highest level of shock and vibration isolation between pipe work and hangers. Available in three grades for varying applications, Clip Strips fit most common strap widths, are easy to install and can be supplied to suit temperatures up to 300°C .



Industrial Installation
Products and Solutions



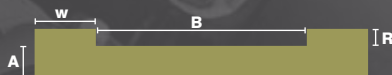
S/CL CLIP STRIP



Colour: Red

Operating Temp: -40°C to +100°C (-40°F to 212°F)

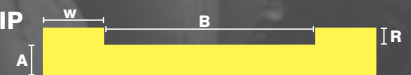
HT/CL CLIP STRIP



COLOUR: Green

OPERATING TEMP: -40°C to +150°C (-40°F to 302°F)

VHT/CL CLIP STRIP



Colour: Yellow

Operating Temp: -50°C to +300°C (-58°F to 572°F)

Flexibility: Retained after 1 month at +300°C (572°F)

JW Ref Number	Base (A) Thickness	Clip Width (B)	Recess Depth (R)	Wall Width (W)
55-50	3mm (0.12")	12.5mm (0.49")	1.5mm (0.06")	3mm (0.12")
55-75	3mm (0.12")	19mm (0.75")	1.5mm (0.06")	3mm (0.12")
55-100	5mm (0.20")	25mm (0.98")	2.5mm (0.10")	6mm (0.24")
55-125	5mm (0.20")	32mm (1.26")	2.5mm (0.10")	6mm (0.24")
55-175	6mm (0.24")	40mm (1.57")	2.5mm (0.10")	6mm (0.24")
55-200	6mm (0.24")	50mm (1.97")	2.5mm (0.10")	6mm (0.24")
55-250	6mm (0.24")	64mm (2.52")	2.5mm (0.10")	6mm (0.24")
55-300	9.5mm (0.37")	75mm (2.95")	5mm (0.20")	12.5mm (0.49")
55-400	9.5mm (0.37")	100mm (3.94")	5mm (0.20")	12.5mm (0.49")
55-500	9.5mm (0.37")	125mm (4.92")	5mm (0.20")	12.5mm (0.49")
55-600	12.5mm (0.49")	150mm (5.91")	6mm (0.24")	19mm (0.75")

Base (A) Thickness	Clip Width (B)	Recess Depth (R)	Wall Width (W)
2mm (0.08")	35mm (1.38")	2mm (0.08")	5mm (0.20")
2mm (0.08")	45mm (1.77")	2mm (0.08")	5mm (0.20")
2mm (0.08")	55mm (2.17")	2mm (0.08")	5mm (0.20")
2mm (0.08")	65mm (2.56")	2mm (0.08")	5mm (0.20")
2mm (0.08")	75mm (2.95")	2mm (0.08")	5mm (0.20")
2mm (0.08")	85mm (3.35")	2mm (0.08")	5mm (0.20")
2mm (0.08")	95mm (3.74")	2mm (0.08")	5mm (0.20")
2mm (0.08")	105mm (4.13")	2mm (0.08")	5mm (0.20")
2mm (0.08")	115mm (4.53")	2mm (0.08")	5mm (0.20")

For data sheets or more information please contact our technical support team on +44 (0) 1579 320808

PIPE SUPPORT SOLUTIONS

Pipe Grips

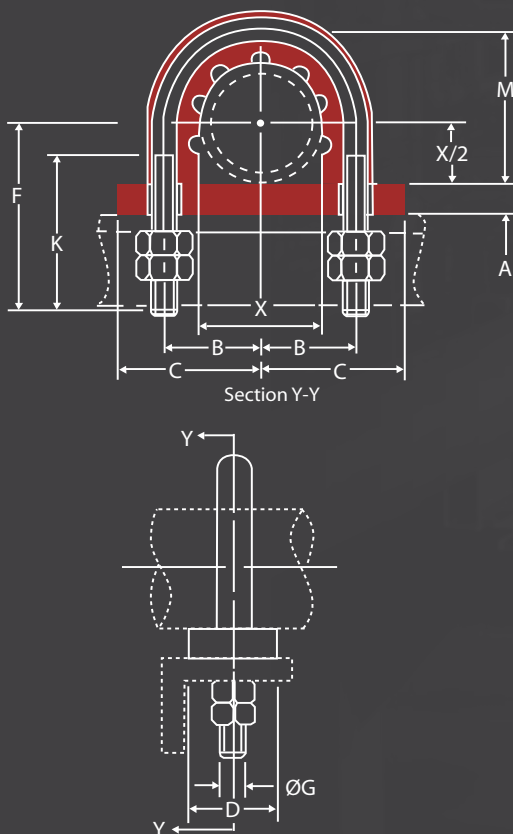
TICO Pipe Grips have been designed specifically to isolate pipes, minimising vibration transmission between pipework and hanger and preventing corrosion between dissimilar metals.

There are two designs of Pipe Grip, a 'Guide Type' with PTFE inside surface to allow movement of the pipework, and a 'Grip Type' which securely holds the pipe in place to prevent movement.

Key Features and benefits of Pipe Grips:

- Fire retardant synthetic rubber moulded components which do not support the surface spread of flame.
- Easy identification: Red = Cu/Ni
- Black = Stainless Steel
- Low evolution of toxic gases
- Operational temperature range from -50°C to +120° continuous, 150° intermittent
- High quality zinc plated metal parts as standard, other surface finishes available to customer specification.
- Manufactured in mild steel BSEN 10025, Grade S275JR
- A wide range of standard sizes
- Accurate threads mean easy fitting
- Provides an unrivalled level of cushioning and support
- Serrated inner face on 'Grip Type' provides positive pipe retention

Grip Type



Nominal Pipe Size		Part Number	Dimensions (mm)								
mm	Inch		A	B	C	D	F	G	K	M	X
12.70	1/2"	JW 152 - 21	10	18.5	30	25	60	6	57	29	21
19.00	3/4"	JW 152 - 27	10	21.5	34	25	65	6	60	35	27
25.40	1"	JW 152 - 34	10	25	36	25	65	6	60	42	34
31.75	1 1/4"	JW 152 - 43	10	34.5	45	25	70	10	60	56	43
38.10	1 1/2"	JW 152 - 49	10	37.5	49	25	80	10	70	62	49
50.80	2"	JW 152 - 61	10	43.5	55	25	90	10	75	74	61
76.20	3"	JW 152 - 89	10	57.5	70	25	100	12	75	102	89
101.60	4"	JW 152 - 115	10	70.5	83	25	110	12	75	128	115
152.40	6"	JW 152 - 168	15	105	123	50	180	16	120	189	168
203.20	8"	JW 152 - 219	15	131	150	50	199	16	120	240	219

For the stainless pipes O/Ds of pipes are based on BS 3974 Part 1 1974 Table 10.

mm	Inch		A	B	C	D	F	G	K	M	X
12.70	1/2"	JW 153 - 16	10	16	30	25	60	6	54	24	16
19.00	3/4"	JW 153 - 25	10	20.5	34	25	65	6	58	33	25
25.40	1"	JW 153 - 30	10	23	36	25	65	6	61	38	30
31.75	1 1/4"	JW 153 - 38	10	32	45	25	70	10	62	51	38
38.10	1 1/2"	JW 153 - 45	10	35	49	25	80	10	70	57	44.5
50.80	2"	JW 153 - 57	10	41.5	55	25	90	10	75	70	57
63.50	2 1/2"	JW 153 - 76	10	51	67	25	100	12	75	89	76
76.20	3"	JW 153 - 89	10	57.5	70	25	100	12	75	102	89
101.60	4"	JW 153 - 108	10	67	83	25	110	12	75	121	108
152.40	6"	JW 153 - 159	15	100.5	119	50	180	16	120	180	159
203.20	8"	JW 153 - 219	15	131	150	50	199	16	120	240	219

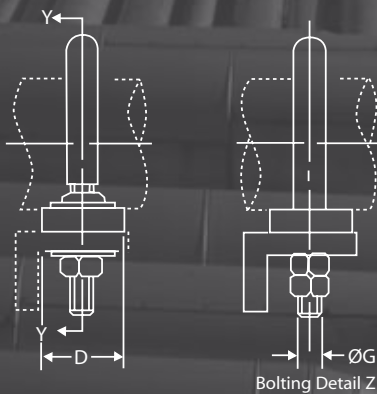
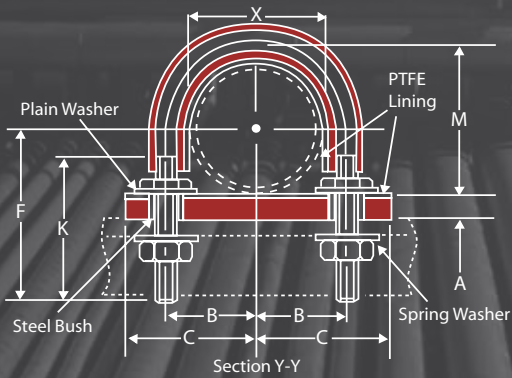
For Cu/Ni pipes (based on seamless 'Kunifer 10' sizes) O/D of pipes conform to BS 2871 Part 2 Table 3, BS MA 18 Table 2 BS MA60. Also suitable for O/D stainless steel tubing.



Industrial Installation
Products and Solutions



Guide Type



Nominal Pipe Size		Part Number	Dimensions (mm)								
mm	Inch		A	B	C	D	F	G	K	M	X
*12.70	1/2"	JW 172 - 21	10	18.5	30	25	60	6	57	29	21
*19.00	3/4"	JW 172 - 27	10	21.5	34	25	65	6	60	35	27
*25.40	1"	JW 172 - 34	10	25	36	25	65	6	60	42	34
31.75	1 1/4"	JW 172 - 43	10	34.5	49	30	70	10	60	56	43
38.10	1 1/2"	JW 172 - 49	10	37.5	53	30	80	10	70	62	49
50.80	2"	JW 172 - 61	10	43.5	59	30	90	10	75	74	61
76.20	3"	JW 172 - 89	10	57.5	77	40	100	12	75	102	89
101.60	4"	JW 172 - 115	10	70.5	90	40	110	12	75	128	115
152.40	6"	JW 172 - 168	15	105	129	50	180	16	120	189	168
203.20	8"	JW 172 - 219	15	131	156	50	199	16	120	240	219

For the stainless pipes O/Ds of pipes are based on BS 3974 Part 1 1974 Table 10.

mm	Inch		A	B	C	D	F	G	K	M	X
*12.70	1/2"	JW 173 - 16	10	16	30	25	60	6	54	24	16
*19.00	3/4"	JW 173 - 25	10	20.5	34	25	65	6	58	33	25
*25.40	1"	JW 173 - 30	10	23	36	25	65	6	61	38	30
31.75	1 1/4"	JW 173 - 38	10	32	49	30	70	10	62	51	38
38.10	1 1/2"	JW 173 - 45	10	35	53	30	80	10	70	57	44.5
50.80	2"	JW 173 - 57	10	41.5	59	30	90	10	75	70	57
63.50	2 1/2"	JW 173 - 76	10	51	74	40	100	12	75	89	76
76.20	3"	JW 173 - 89	10	57.5	77	40	100	12	75	102	89
101.60	4"	JW 173 - 108	10	67	90	40	110	12	75	121	108
152.40	6"	JW 173 - 159	15	100.5	129	50	180	16	120	180	159
203.20	8"	JW 173 - 219	15	131	156	50	199	16	120	240	219

For Cu/Ni pipes (based on seamless 'Kunifer 10' sizes) O/Ds of pipes conform to BS2871 Part 2 Table 3, BS MA 18 Table 2 BS MA60. Dimensions in mm unless otherwise stated. Non-standard sizes are available on request. * See bolt detail Z. These items are without steel bushes and washers.

PIPE SUPPORT SOLUTIONS

Bond Slips

TICO Bondstrips units provide a simple, economical, easy to install solution to the problem of accommodating movements in structures; for example due to expansion, contraction, settlement and variations in loading that might otherwise result in the development of high stresses and potentially damage.

Grade	S/PT/PA	Z/PT/PA	RF/PT/PA	PF/PT/PA
Load Bearing Capacity MN/m ²	0.5	1.4	7	15.5

Typical values for the coefficient of friction between the PTFE faced lower members above and TICO S/NG/PA are given in the table below:

Stress MN/m ²	0.7	1.4	3.5	7
Co-efficient of Friction	0.09	0.07	0.05	0.04

Typical applications of TICO Bondslip Units include:

- Low friction supports in mechanical and pipework installations
- Low friction guide restraints
- Temporary bearings employed during construction

TICO Bondslip Units have been developed over many years of involvement with petrochemical and industrial clients, and proven in thousands of applications Worldwide.

Bondslip Units are custom designed and manufactured for specific applications. Please contact us for more information.





Industrial Installation
Products and Solutions

Tiflex appreciate the wide variety of applications for TICO Bondslip Units and the differing requirements of each, and hence have made the design of these units as flexible as possible. Tiflex are able to offer custom units incorporating:

- Steel backing plates for easy installation, or units without backing plates for bonding directly to the structure on site.
- Steel thickness can be varied to suit the application.
- Polished stainless steel plates in place of the standard TICO upper member.
- Such plates can also be supplied pre-welded to steel backing plates.
- Backing plates to the customers specific requirements, e.g. carbon steel to BSEN 10025, stainless steel 316L or 304.
- Steelwork coatings to customers' specific requirements e.g. painted with red oxide primer
- or other paint systems, hot dip galvanized or plain unpainted.
- Slots and holes within each member to provide positive location and restraint in one or more directions
- One member only, for example for use as a guide stop restraint.
- Hypalon edge proofing on the resilient TICO components for additional protection in aggressive environments
- Wiper seals for areas heavily contaminated with abrasive dusts and powders to maintain the cleanliness of the sliding faces
- Custom shapes and sizes which may not necessarily be square or rectangular
- Thermal insulation layers
- Different thickness components to suit rotational movements or space restrictions.
- Specialist material grades to cope for exceptional loading conditions or elevated temperatures

Key advantages of Bond Slip units:

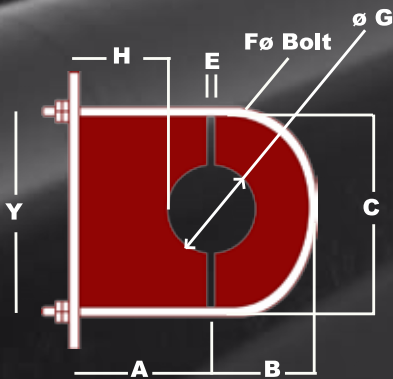
- Simplicity & flexibility of design & installation
- Maintenance free
- Smooth movement without the occurrence of 'Stick Slip'
- Thermally stable & resistant to most environmental conditions likely to be encountered in service
- Can be designed to accommodate rotational movement
- Bondable substrate which accommodates surface irregularities in the structure
- Materials can be supplied factory bonded to steel backing plates under controlled conditions.

Clamp Blocks



S/CB

Clamp blocks provide protection and uniform spacing of pipe lines. They absorb shock, noise and vibration caused by fluid velocity and turbulence in pipes, high air velocity ducts, drumming of the duct wall etc. which would otherwise be transmitted through the clamp to the surrounding structure or building. TICO clamp blocks are manufactured singly or in multiple pipe carrying sections as shown.



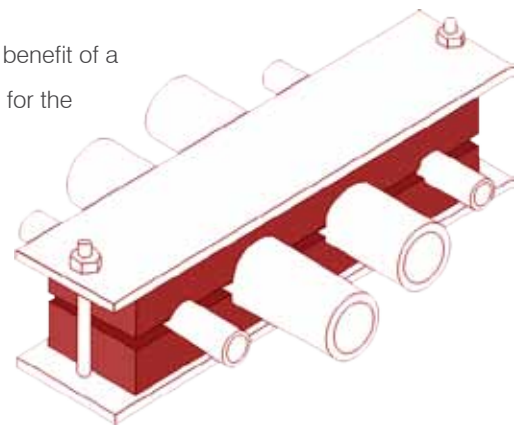
JW Part Number	G	A	B	C	Depth	E	H	Y	'U' Bolt Ø F
M 92 - 16	16	33	21	42	25	3	25	52	10
M 92 - 25	25	38	30	60	25	3	25	70	10
M 92 - 30	30	40	30	60	25	6	25	70	10
M 92 - 38	38	44	38	76	25	6	25	86	10
M 92 - 45	45	61	38	76	50	6	38	86	10
M 92 - 57	57	67	45	90	50	9.5	38	102	12
M 92 - 76	76	76	57	114	50	9.5	38	126	12
M 92 - 89	89	83	70	140	50	9.5	38	152	12
M 92 - 108	108	104	85	170	75	9.5	50	182	12
M 92 - 159	159	130	110	220	75	12.5	50	236	16
M 92 - 219	219	160	162	324	75	12.5	50	344	20

S/NG/CB

S/NG/CB clamp blocks are identical to S/CB clamp blocks but with the added benefit of a molybdenum disulphide impregnated nylon bush to provide a low friction bore for the accommodation of additional longitudinal movement.

Please contact us if you require a size not specified in the standard range.

We can manufacture bespoke clamps to suit specific applications.



a member of the
James Walker
Group

Tiflex

Tiflex Limited, Tiflex House, Liskeard, Cornwall, PL14 4NB, UK

Tel: +44 (0) 1579 320808 Fax: +44 (0) 1579 320802

Email: tico@tiflex.co.uk

Web: www.tiflex.co.uk



Uniclass L53912	EPIC E48
Cl/SfB (43.9)	X (J6)

TICOBRPI11102013